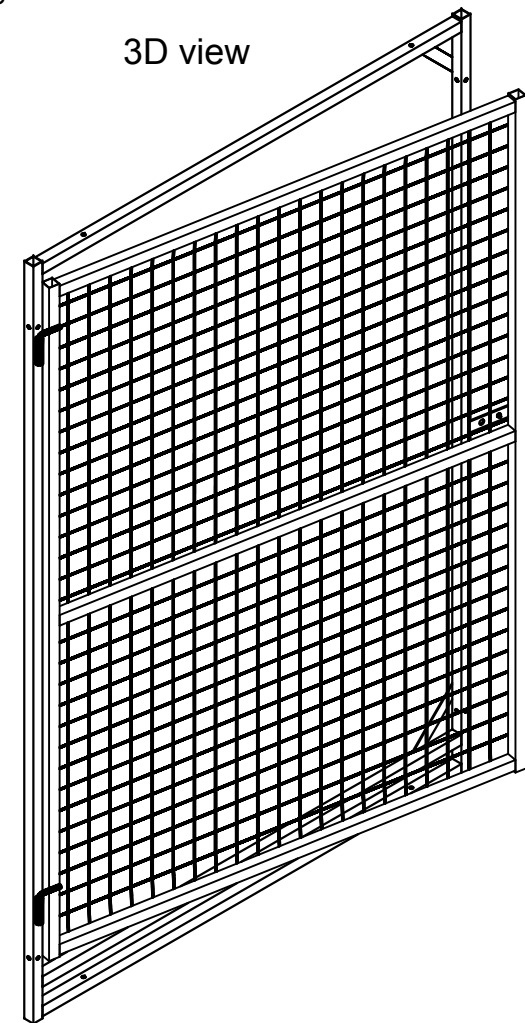
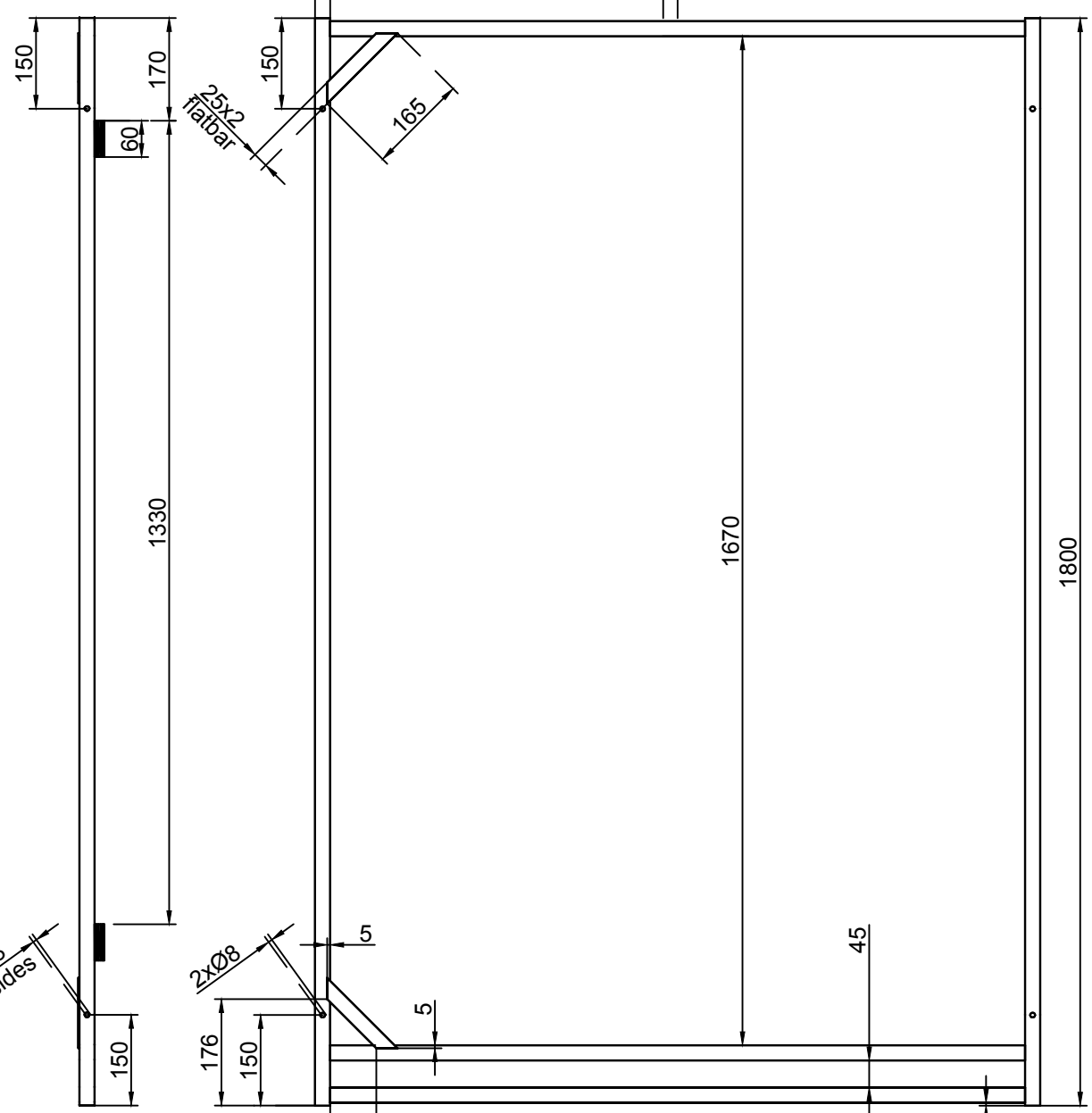
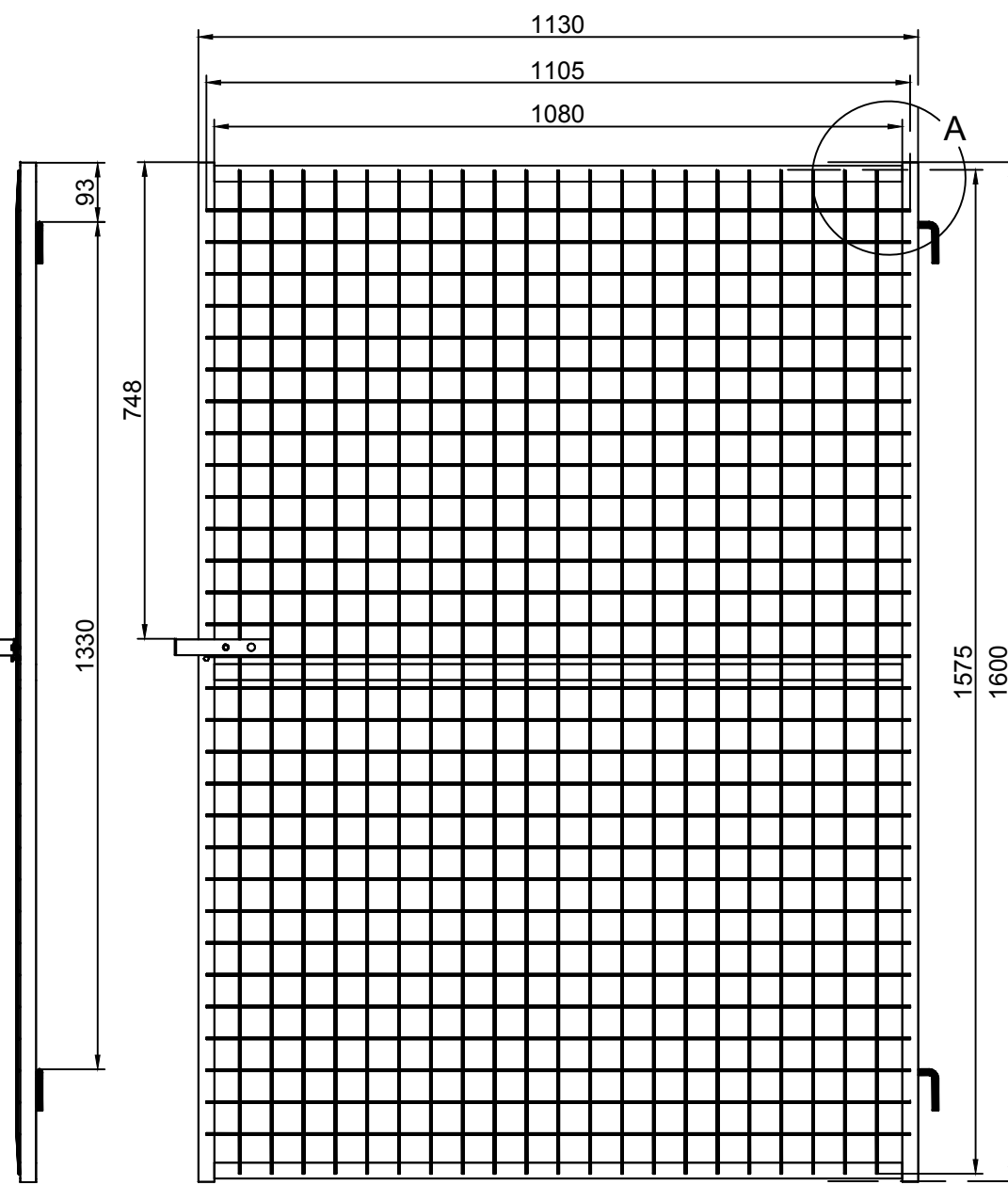
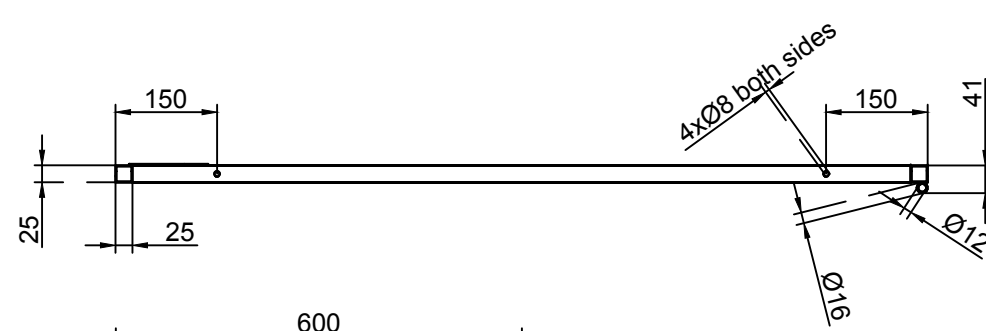
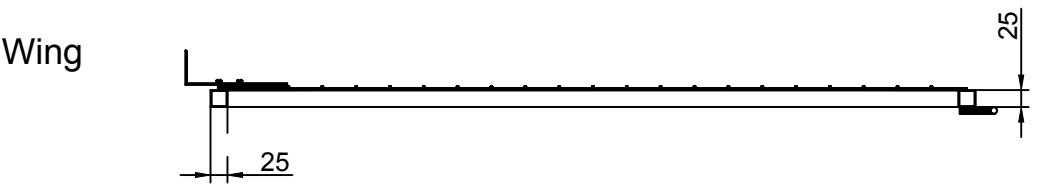


THIS PRINT IS PROVIDED ON A RESTRICTED BASIS AND IS NOT TO BE USED IN ANY WAY DETERMINAL TO THE INTEREST OF HALSANG

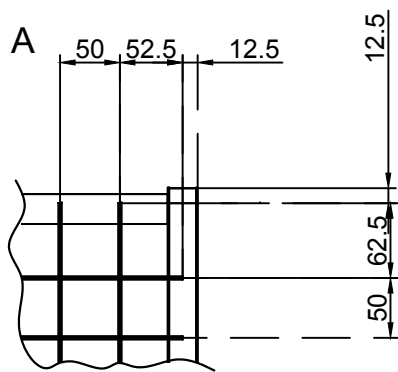
Wing

Frame

3D view



Detail A



- Remarks:
1. Dimension tolerances not indicated according to ISO 2768-m.
 2. Panel hot dip galvanized according to EN-ISO 1461.
 3. All dimensions in mm.
 4. No sharp edges allowed.
 5. Welds without burrs, cleaned.

Frame	profile 25x25x1,2
Mesh	#50x50 wire Ø3 ^{+0,1}

Z0059



Name		Designed	
Dog gate 1200x1800		J.Dziura	
Number		Verified	
ZF-DG-1200x1800-1		J.Dziura	
Release	Date	Release	Date
2	2017-03-30	2	2017-03-30